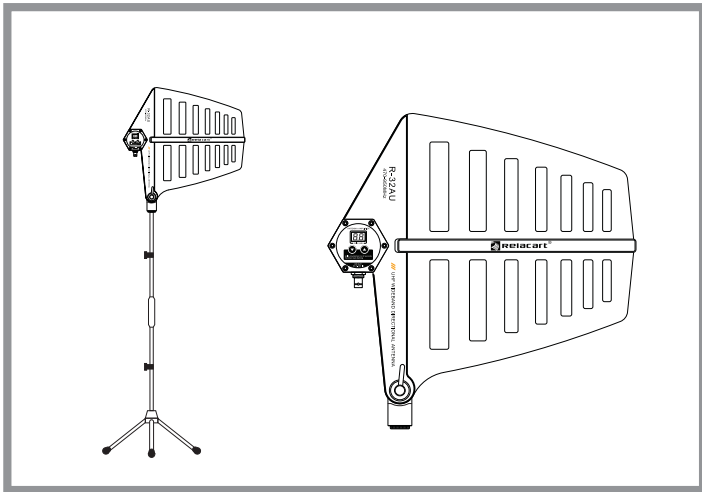


R-32AU/R-32U Directional Antenna



Description:

R-32AU/R-32U has the characteristics of reliable performance, durable, which can provide the best receiving effect in the required coverage. The gain setting is used to enhance the signal reception. The R-32AU/R-32U can be fixed to the microphone stand or suspended from the ceiling, or it can be fixed to the wall using the integrated rotatable stand.

Characteristic:

- R-32AU has a low noise signal amplification function, provide signal enhancement.
- R-32U has stronger signal receiving capability.
- Can be used with Relacart wireless receivers and antenna distribution systems.
- Lightweight and smart appearance structure, easy to carry and install.

Specification :

Antenna frequency range:	470MHz ~ 950MHz
Amplifier frequency range:	470MHz ~ 950MHz
Antenna directivity:	Cardioid
Antenna polarization:	Line
Antenna gain:	≥6.5dB
Antenna standing wave ratio:	<2
Amplifier gain:	0 to 15dB
Amplifier low noise:	<0.45dB
Amplifier OIP3:	>38dBm
External power supply:	6-12V DC
Current:	75mA
Connector port:	BNC female
Dimensions (mm):	Approx. 332 (L) x 304 (W) x 30 (T)
Weight:	Approx. 715g

Coaxial cable attenuation table:

Coaxial Cable Attenuation and Related Gain Settings for R-32AU Amplifier

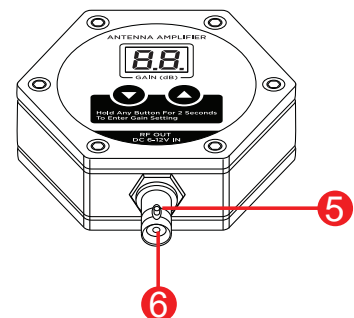
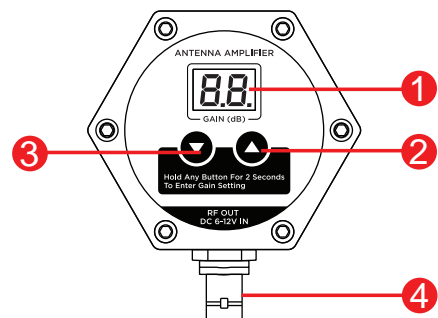
Coaxial cable length (LMR195)	@500MHz		@700MHz		@900MHz	
	LMR195	R-32AU	LMR195	R-32AU	LMR195	R-32AU
1m/3.3ft	0.25dB	1dB	0.3dB	1dB	0.37dB	1dB
3m/10ft	0.75dB	1dB	0.9dB	1dB	1.11dB	2dB
5m/16.5ft	1.25dB	2dB	1.5dB	2dB	1.85dB	2dB
10m/33ft	2.5dB	3dB	3dB	3dB	3.7dB	4dB
15m/50ft	3.75dB	4dB	4.5dB	5dB	5.5dB	6dB
20m/65ft	5.00dB	5dB	6dB	6dB	7.4dB	8dB
25m/82ft	6.25dB	7dB	7.5dB	8dB	9.25dB	10dB
30m/100ft	7.5dB	8dB	9dB	9dB	11.1dB	12dB
40m/130ft	10dB	10dB	12dB	12dB	14.8dB	15dB

Note: 1. LMR195 is the coaxial cable type.

2. When the gain of the R-32AU amplifier is set to 0dB, it plays an out-of-band signal suppression function and does not have amplification function.

Control component:

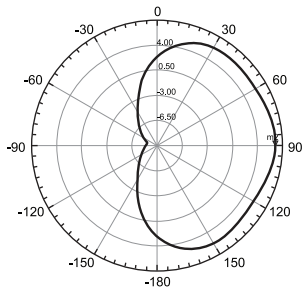
The external power supply 6-12V DC must be applied using a coaxial cable connected to the input BNC connector, and its schematic diagram is shown below.



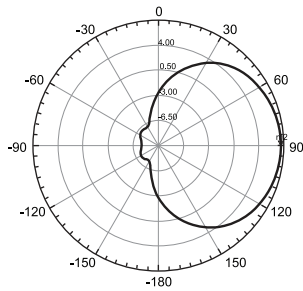
1. Display screen
2. "▲" up button
3. "▼" down button
4. BNC output/power connector
5. GND
6. 6-12V DC/antenna signal

(Note: When no operation, the keys will be locked automatically after 10s, long press any key for 2s to unlock)

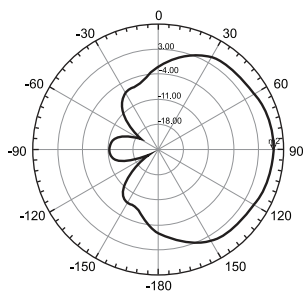
Direction Diagram:



@490MHz



@600MHz



@960MHz

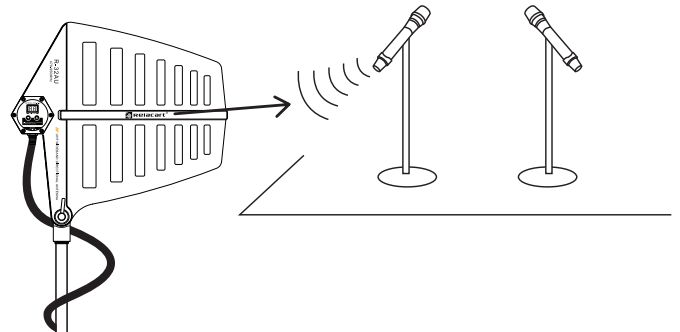
Antenna placement and use:

When fixing the antenna, pay attention to the following:

- The antenna and receiver must use the same frequency band.
- The antennas should be fixed at least 1.2 meters away from each other.
- Keep the antenna away from sources of interference (such as large metal objects).
- Adjust the antenna position so that there are no obstacles between the antenna and the transmitter.

Important Note: Before use, perform a walking field test to check the signal coverage effect.

Experiment with various placement effects of the antenna to find the best placement. "Blind spots" should be marked according to the actual situation and the artist should be reminded to avoid these areas.



install:

- The antenna can be connected to the receiver or antenna distributor system using any 50 ohm low-loss coaxial cable.
- The area of the antenna to be aligned

R-32AU/R-32U
Directional Antenna

R-32AU/R-32U
Directional Antenna

